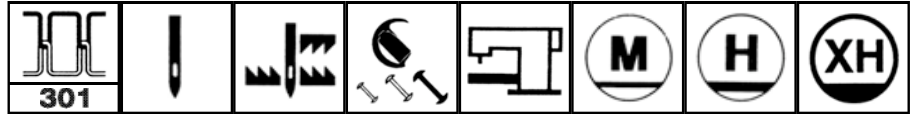


ECONOSEW®

441

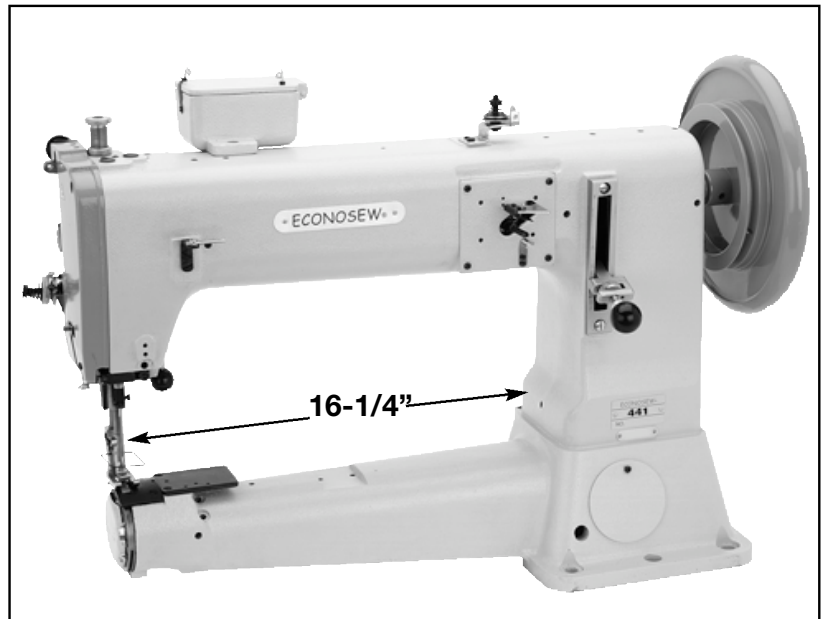
...Just Sew Much Better

J-SERIES



SINGLE NEEDLE, CYLINDER BED,
EXTRA HEAVY DUTY
LOCKSTITCH MACHINE,
UNISON-FEED (NEEDLE-FEED &
DROP-FEED WITH ALTERNAT-
ING PRESSER FEET), EXTRA
LARGE OSCILLATING SHUTTLE
HOOK AND REVERSE FEED
LONG ARM (16-1/4")

- Stitch length regulator locking system
- Built-in bobbin winder
- Silicone oil needle cooling system
- For sewing heavy weight materials such as canvas, vinyl, and various synthetic fabrics, etc.
- Suitable for sewing such products as safety belts, tents, cushions, bags, golf bags, sofas, etc.



Specifications

Model	441
Maximum Sewing Speed	800 spm*
Stitch Length Adjustment	0 to 11mm
Presser Foot Lift	By Hand: 12mm By Pedal: 20mm
Needle System	7x3
Needle Bar Stroke	56mm
Feed Type	Unison feed
Hook Type	Extra large oscillating shuttle hook
Amount of Alternating Presser Foot Lift	4 to 7mm (5mm standard)
Cylinder Diameter	81mm
Working Space	420mm
Lubrication System	Manual



Extra large shuttle hook allows for greater production with fewer interruptions

* Depends on thread, material & type of operation

* Specifications subject to change without notice

ECONOSEW®

...Just Sew Much Better

WEST COAST SALES
Tel: 213.747.9716
Fax: 213.747.4512

E-mail: sales@econosew.com

EAST COAST SALES
Tel: 954-430-1890
Fax: 954-432-8097

Distributed by: